



Installation instructions, accessories

Volvo Car Corporation Gothenburg, Sweden

Instruction No	Version	Part. No.
31414719	1.0	31414699, 31414700, 31414701, 31414702, 31414703, 31414704, 31414705, 31414706

Decor panel kit



Installation instructions, accessories

Volvo Car Corporation Gothenburg, Sweden

Special tools

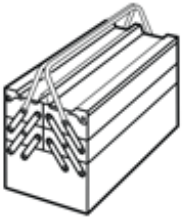
999 5919 PULLER (SEAL-PINION,CAM-CRANKSHAFT)B200-6304

Tool number:999 5919

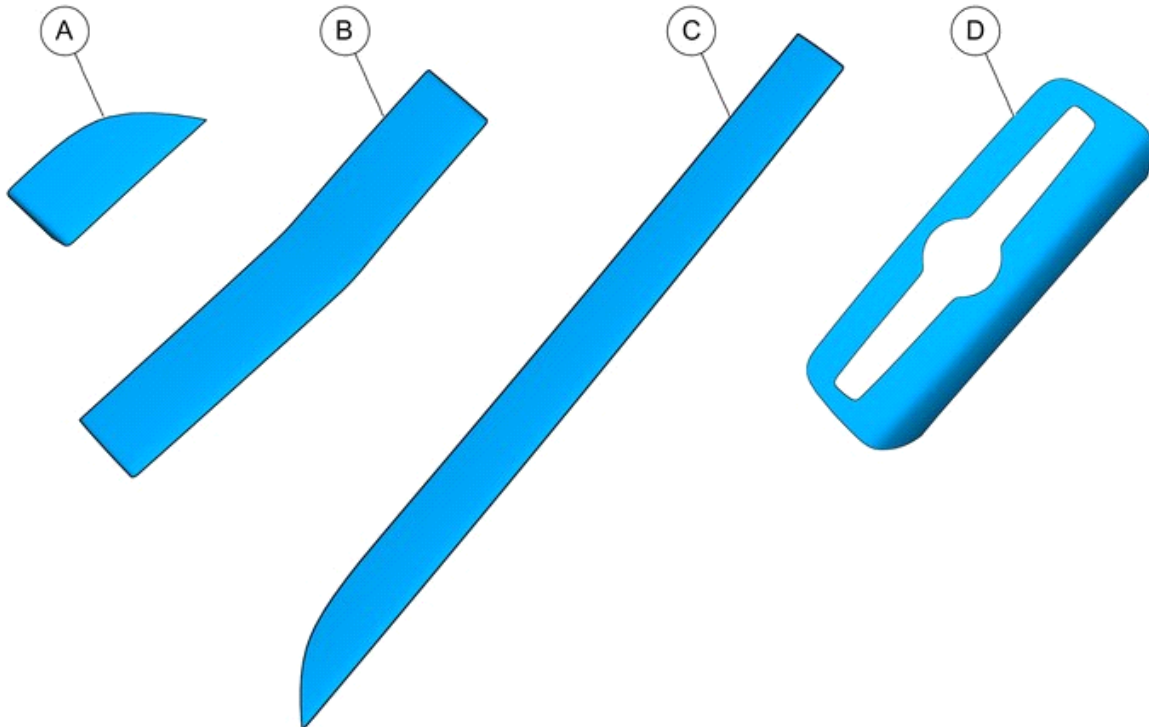
Tool description:PULLER (SEAL-PINION,CAM-CRANKSHAFT)B200-6304

Tool boards:46

Equipment



A0000162



IMG-387567



Installation instructions, accessories

Volvo Car Corporation Gothenburg, Sweden

Information

1

Read through all of the instructions before starting installation.

Notifications and warning texts are for your safety and to minimise the risk of something breaking during installation.

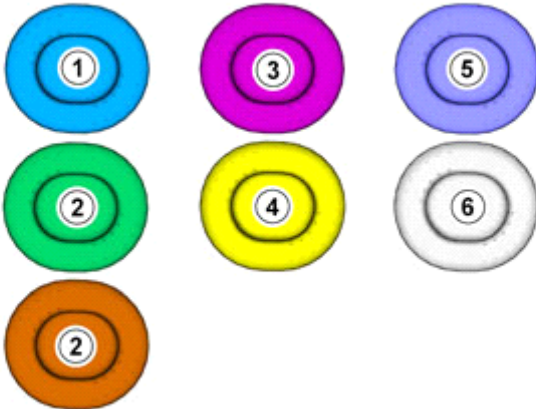
Ensure that all tools stated in the instructions are available before starting installation.

Certain steps in the instructions are only presented in the form of images. Explanatory text is also given for more complicated steps.

In the event of any problems with the instructions or the accessory, contact your local Volvo dealer.

Color symbols

2



IMG-363036

Note!

This colour chart displays (in colour print and electronic version) the importance of the different colours used in the images of the method steps.

1. Used for focused component, the component with which you will do something.
2. Used as extra colors when you need to show or differentiate additional parts.
3. Used for attachments that are to be removed/installed. May be screws, clips, connectors, etc.
4. Used when the component is not fully removed from the vehicle but only hung to the side.
5. Used for standard tools and special tools.
6. Used as background color for vehicle components.



Installation instructions, accessories

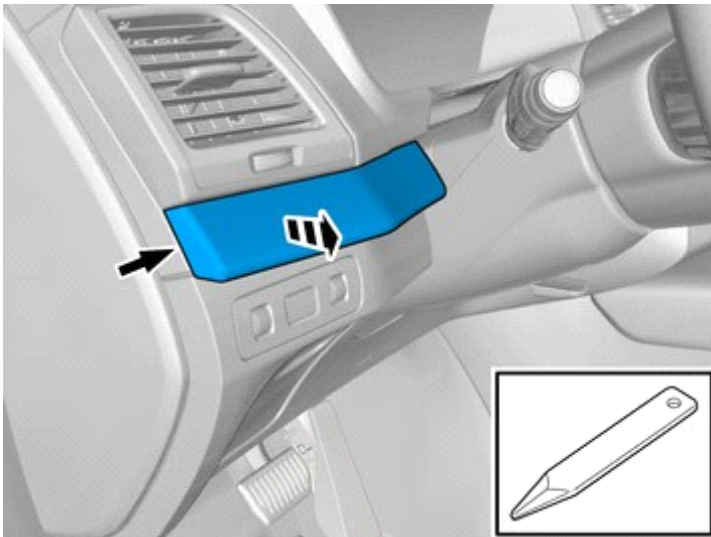
Volvo Car Corporation Gothenburg, Sweden

3



IMG-394535

4



IMG-383623

Remove the panel.

Disconnect the connector, if applicable.

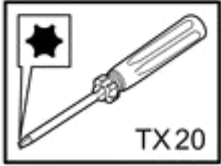
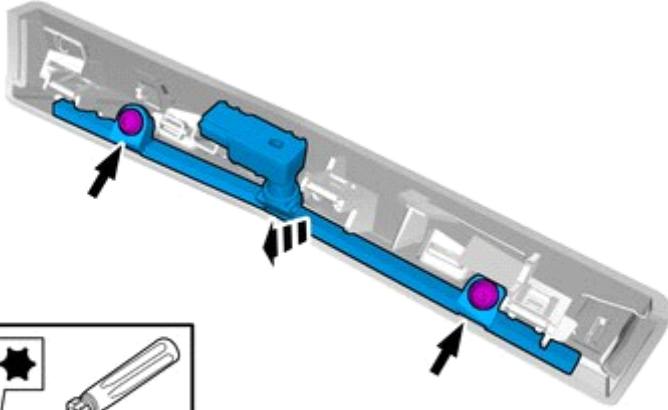
Vehicles with decor illumination



Installation instructions, accessories

Volvo Car Corporation Gothenburg, Sweden

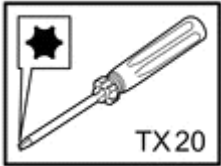
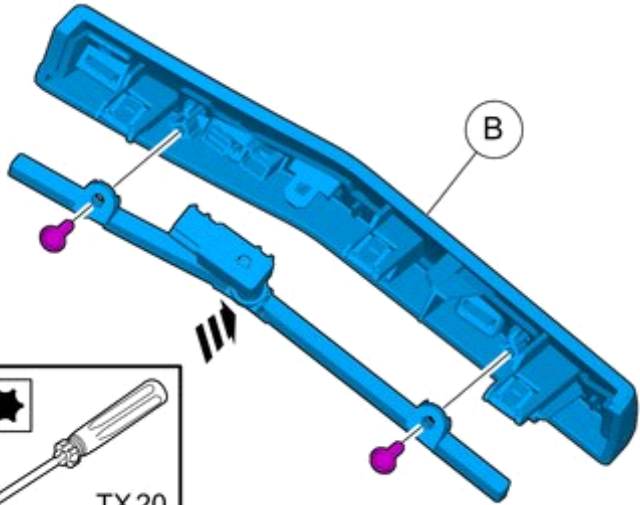
5



IMG-389506

Accessory installation

6



IMG-389513

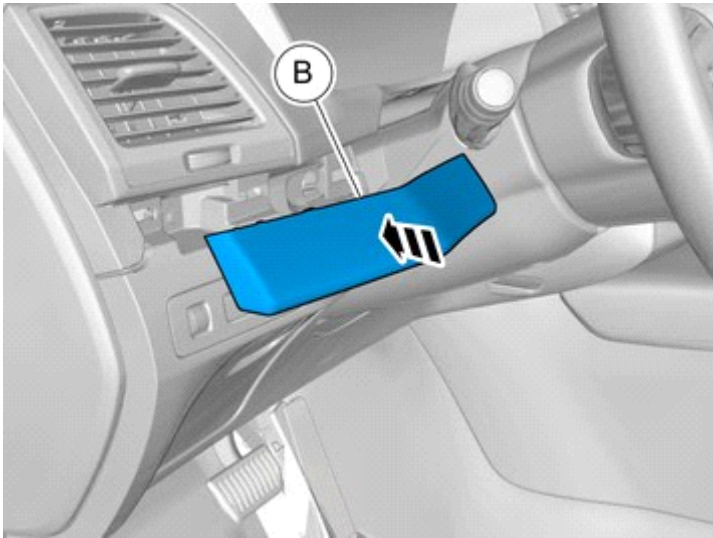
All vehicles



Installation instructions, accessories

Volvo Car Corporation Gothenburg, Sweden

7

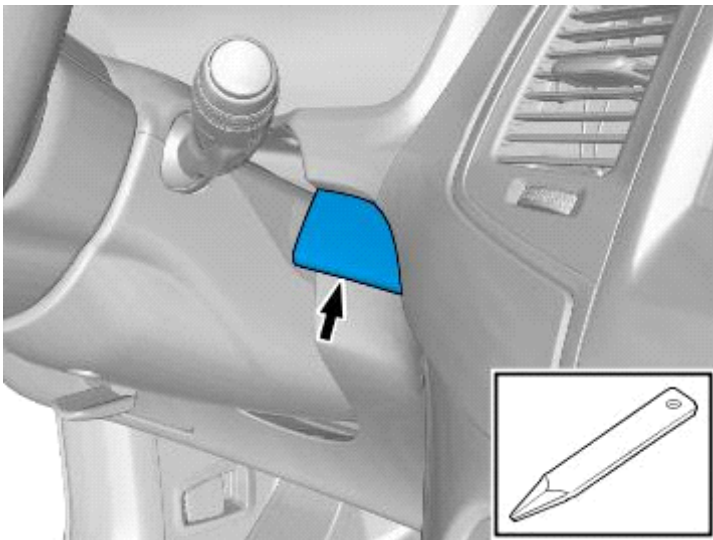


IMG-387637

Connect the connector, if applicable.

Removal

8



IMG-383624

Remove the panel.

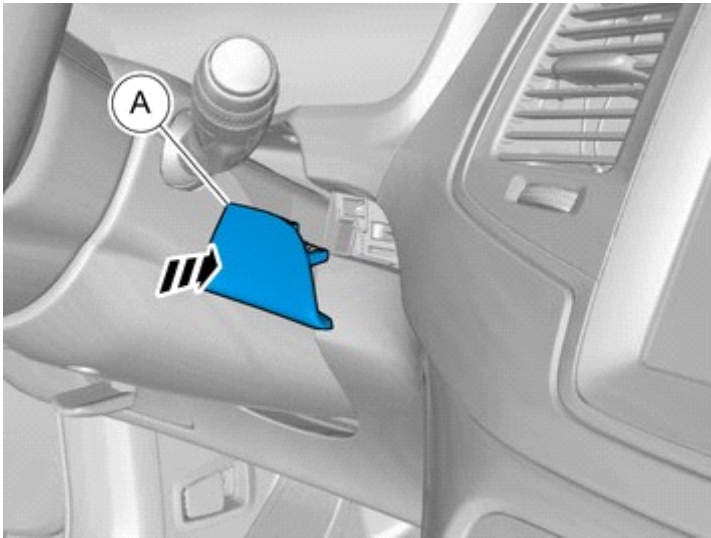
Accessory installation



Installation instructions, accessories

Volvo Car Corporation Gothenburg, Sweden

9

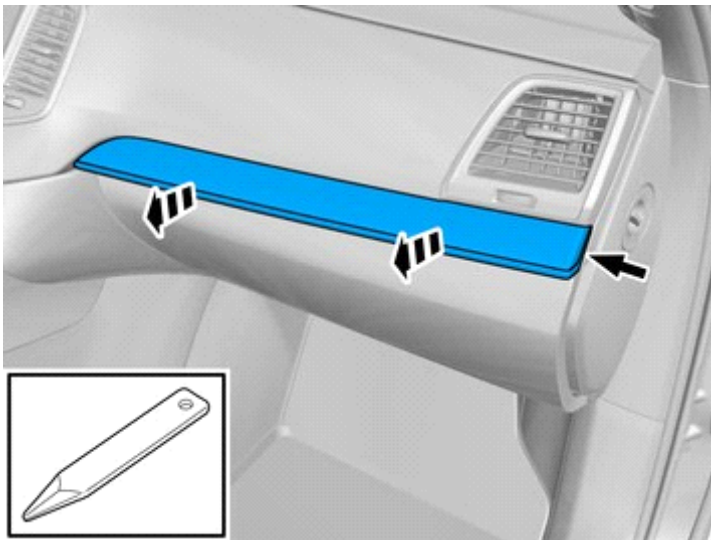


IMG-387639

Install component that comes with the accessory kit.

Removal

10



IMG-389503

Remove the panel.

Disconnect the connector, if applicable.

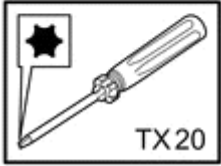
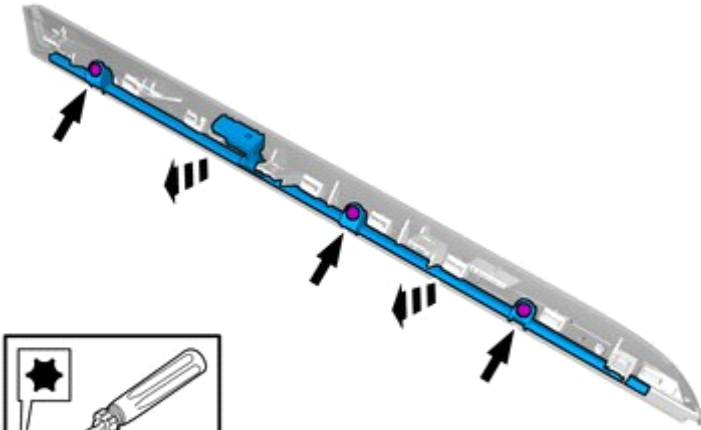
Vehicles with decor illumination



Installation instructions, accessories

Volvo Car Corporation Gothenburg, Sweden

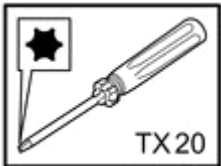
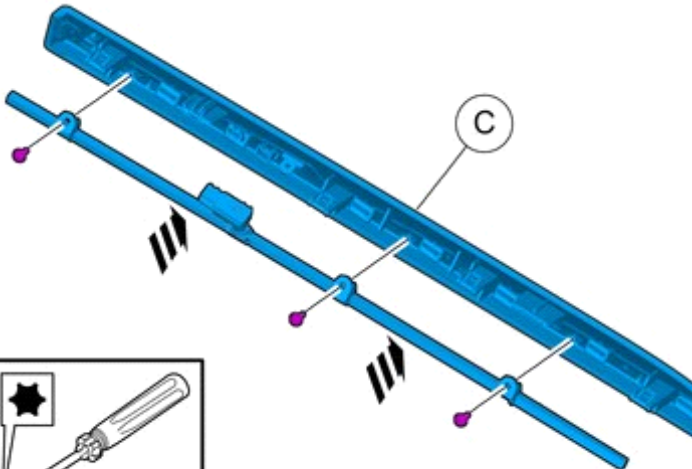
11



IMG-389504

Accessory installation

12



IMG-389505

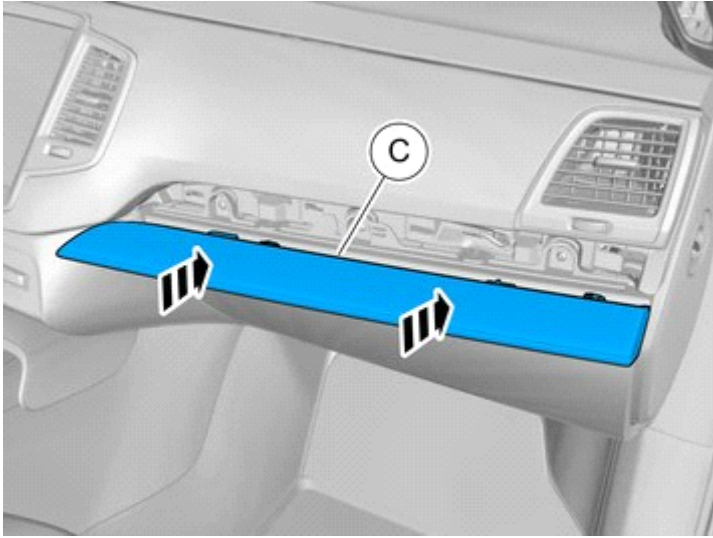
All vehicles



Installation instructions, accessories

Volvo Car Corporation Gothenburg, Sweden

13

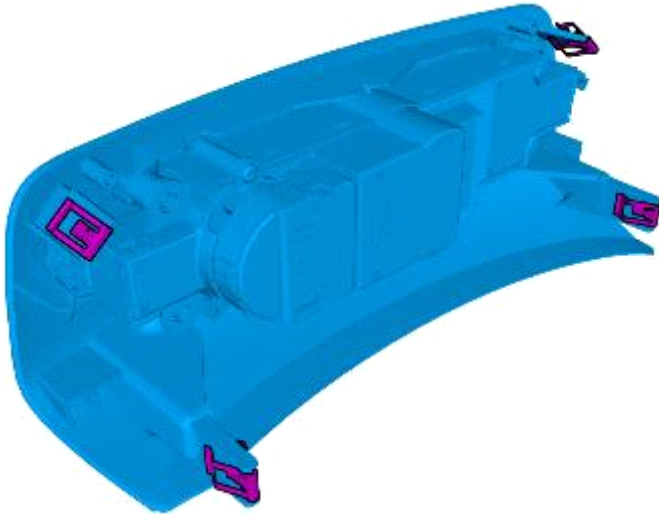


IMG-387649

Connect the connector, if applicable.

Removal

14



IMG-383769

Note!

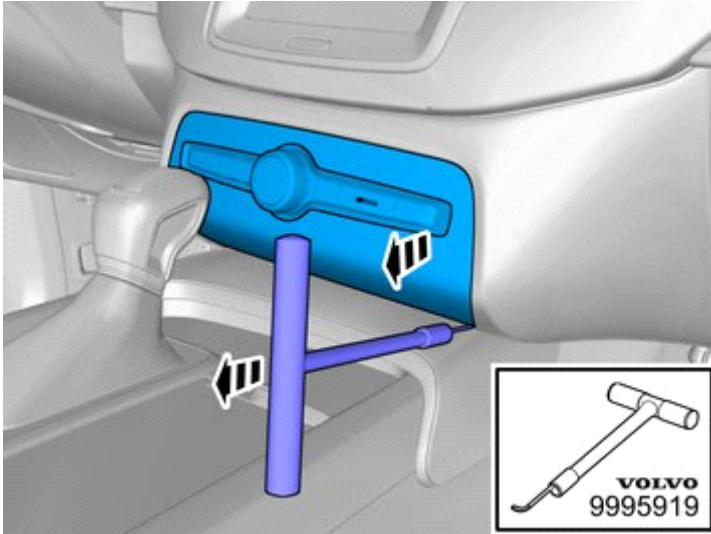
The graphic shows the back of the component before removal.



Installation instructions, accessories

Volvo Car Corporation Gothenburg, Sweden

15



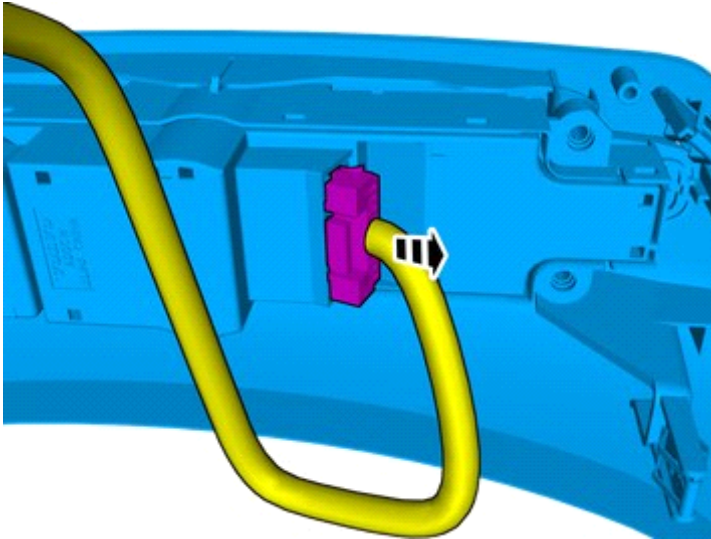
IMG-389246

Note!

Perform the procedure one side at a time.

Use special tool: T9995919, PULLER (SEAL-PINION,CAM-CRANKSHAFT)B200-6304

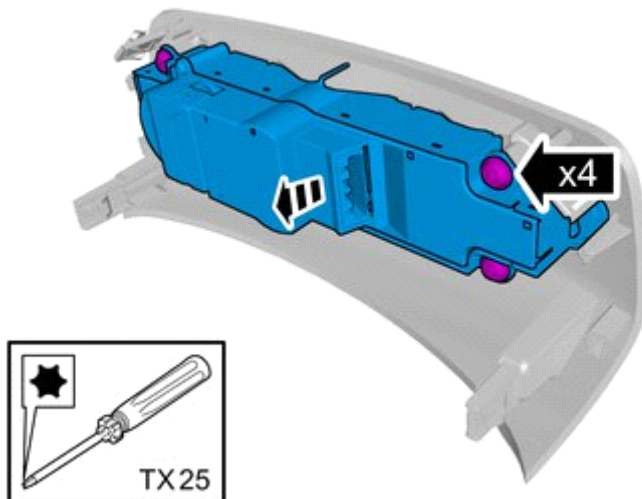
16



IMG-383770

Disconnect the connector.

17



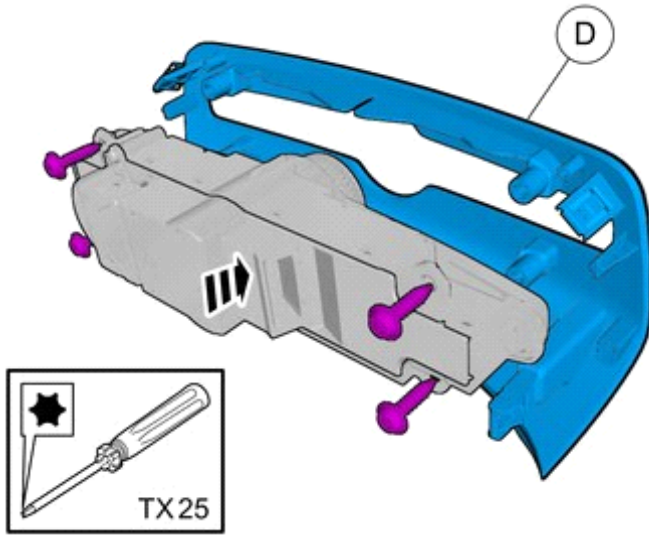
IMG-387566

Remove the screws.



Accessory installation

18

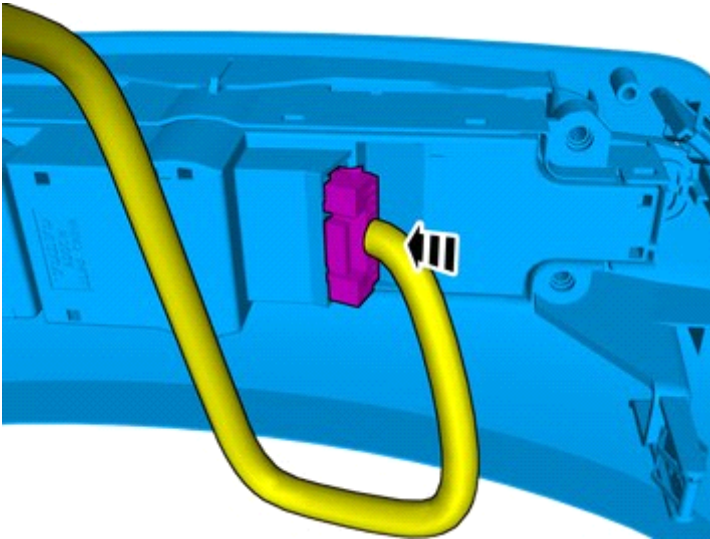


IMG-387572

Install component that comes with the accessory kit.

Reinstall the screws.

19



IMG-387573

Connect the connector.



Installation instructions, accessories

Volvo Car Corporation Gothenburg, Sweden

20



IMG-387624